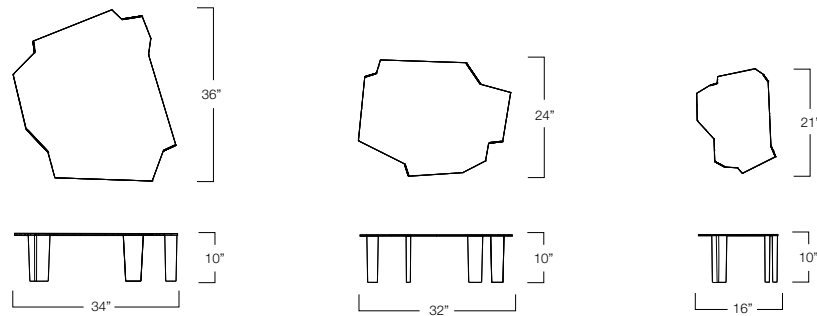


Geo Low Tables

Arik Levy, 2007



Designed to be used individually or arranged in clusters, these eccentric, multi-sided tables are available in a trio of sizes. Available with wood veneer on aluminum or powder-coated aluminum for both indoor and outdoor use.



Indoor/Outdoor



Matte Black



Green



Blue

Indoor



White Ash Veneer



Dark Gray Veneer



Engineered Cherry Veneer



Engineered Douglas Fir Veneer