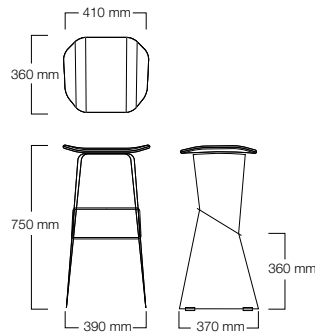


# Chrysalis Stool

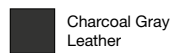
One & Co, 2007



At once delicate and robust, this stool is wonderfully simple. A sleek and comfortable leather seat (available in White, Black, and Gray) is perched atop a slender stainless steel base; the cross bar doubles as a foot rest.



Black



Charcoal Gray  
Leather



White Leather